

GROVE

VENTILTRAEGER DRUCKLUFT OW VORM.
 VALVE SUPPORT COMPRESSED AIR SYSTEM OW PRE ASS.

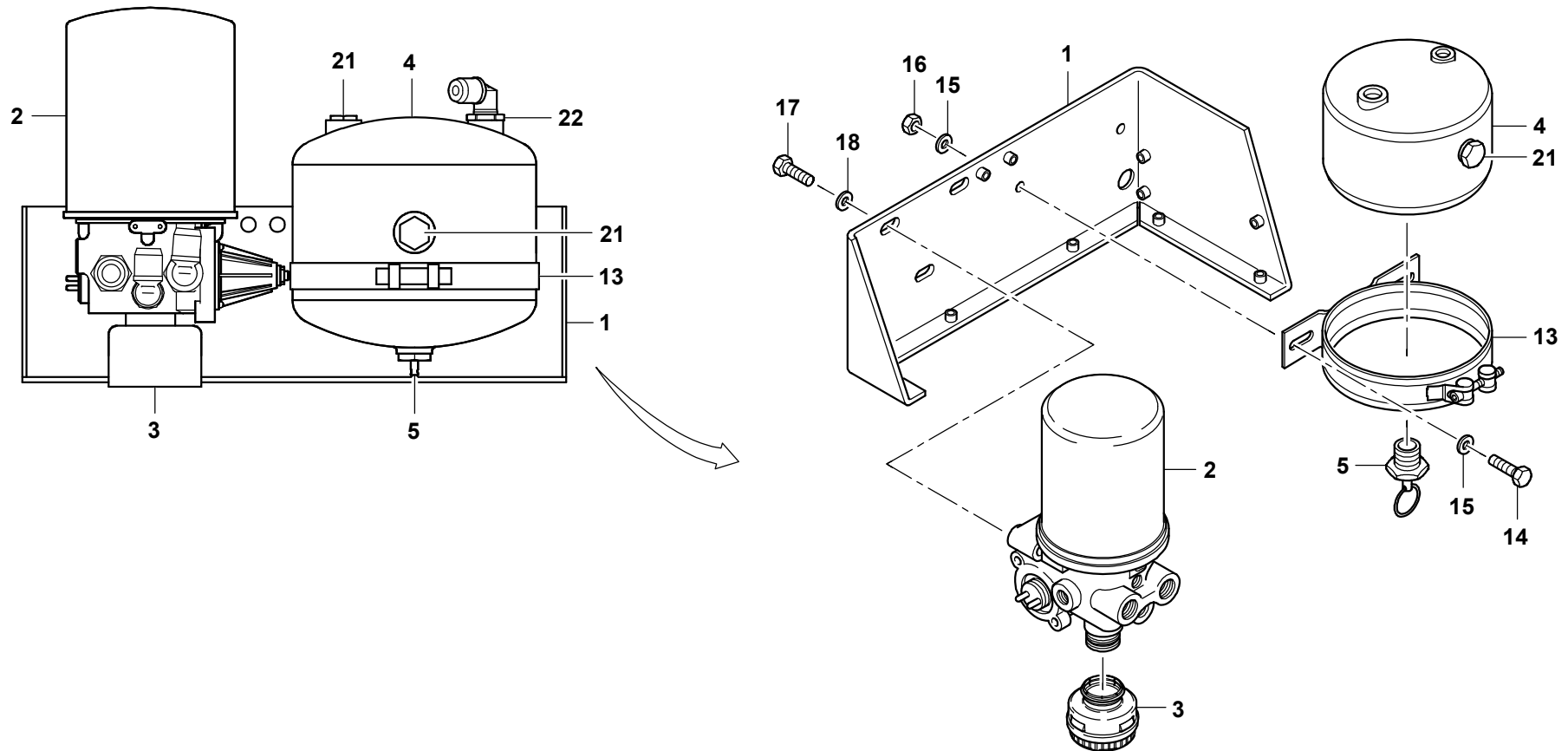
BILDTAFEL
 PICTORIAL DISPLAY

04.14

3267929-ETL B

1/2

GMK 4100
BE 600
G 756



GROVE

VENTILTRAEGER DRUCKLUFT OW VORM.

VALVE SUPPORT COMPRESSED AIR SYSTEM OW PRE ASS.

BILDТАFEL
PICTORIAL DISPLAY

04.14

3267929-ETL B

2/2

**GMK 4100
BE 600
G 756**